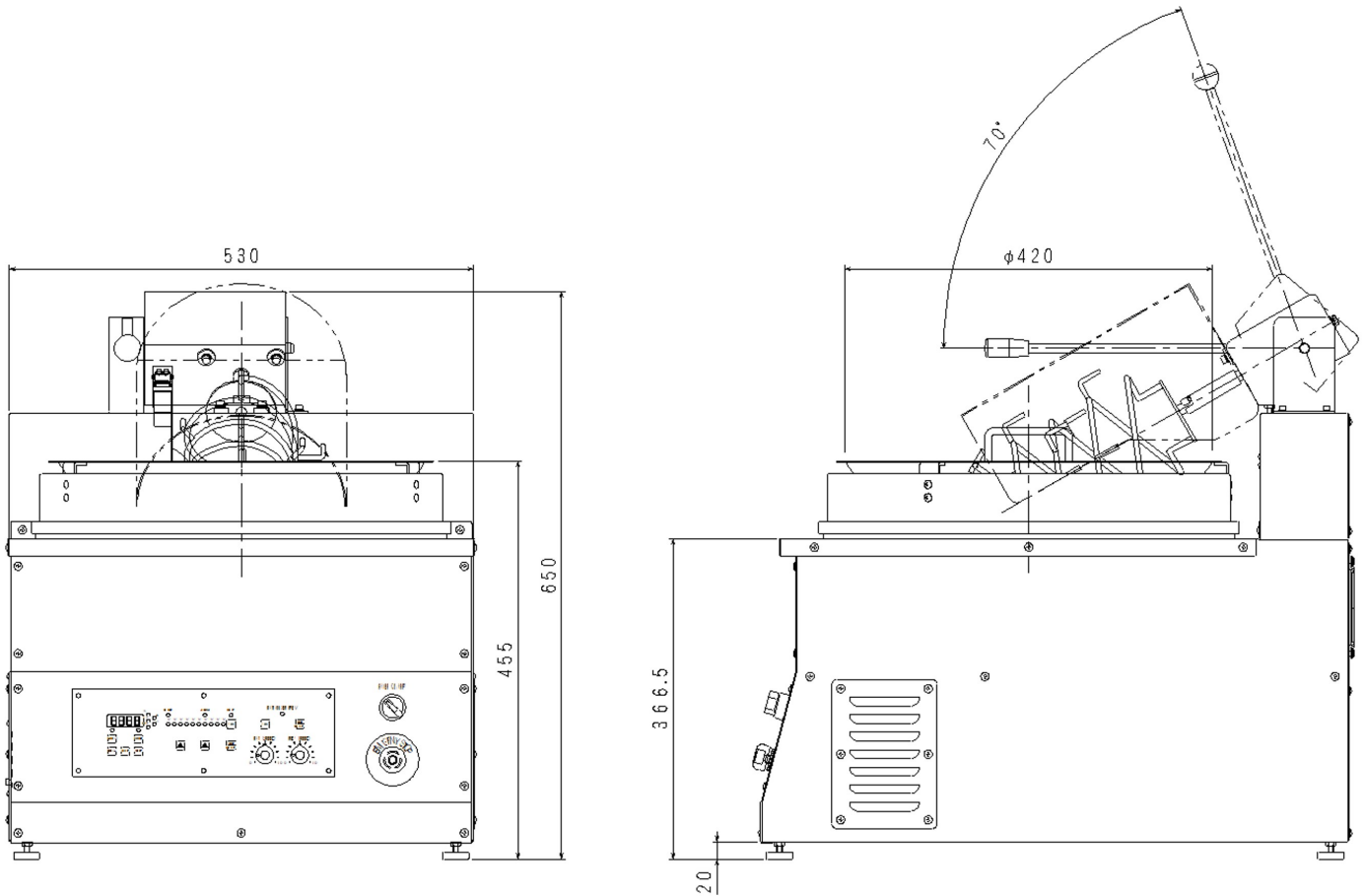


### Machine Specifications

Part	Specifications
Machine Dimensions	Refer to Drawing
Pan Dimensions	φ420×Depth118mm
Pan Materials	Steel (t=1.6)
Temperature Control	0~400°C/Manual Control
Pan and Agitator Drive	Variable Speed
Machine Weight	60kg
Electric Power	1PH, 200~240V/20A



- Fast Cooking only 3min for fried rice
- No need skilled Chef, just add ingredients
- Excellent wok-flavour from high wok temperature
- Safe operation, no open fire
- Easy disassembly and cleaning, no tools needed



**IKC Asia-Pacific Pte Ltd.**

15 Hindhede Place, Singapore 587864

Phone: +65 96567493

Email: henry.yee@ikcasiapac.com