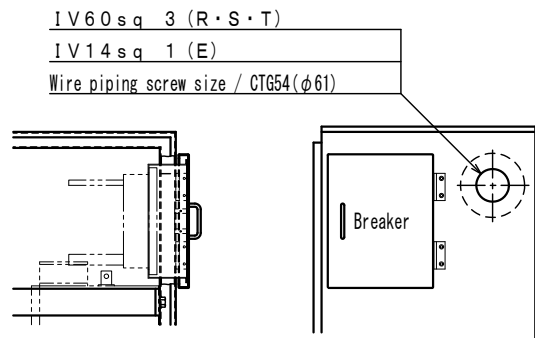
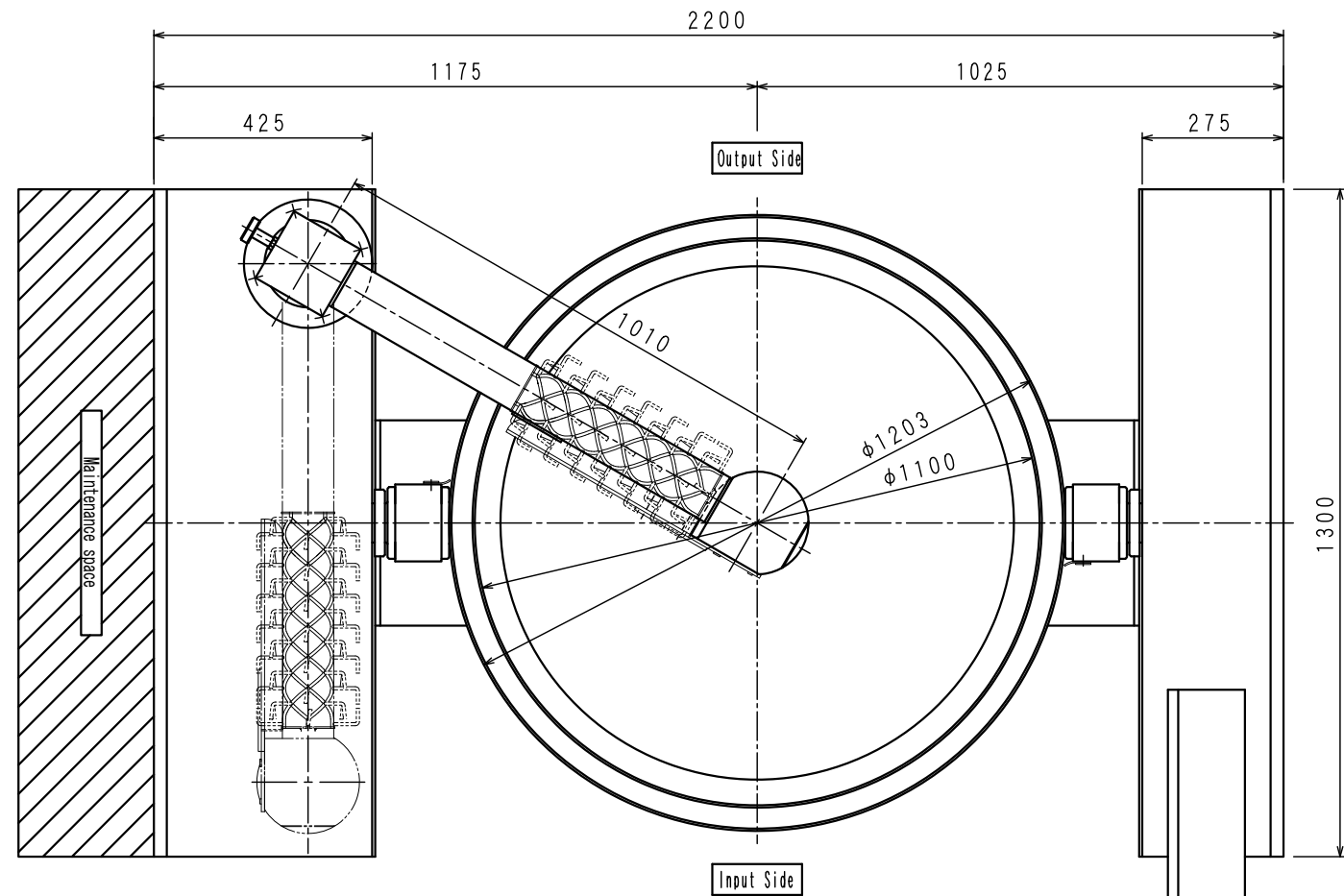


[Cares to be taken in installation]

- The maintenance space should be reserved at about 500mm right & left side of the machine.
- The floor height gap should be within 50mm.
- The customer side should praimary power source (200A), and the flexible wiring to the machine should be referred to the below.

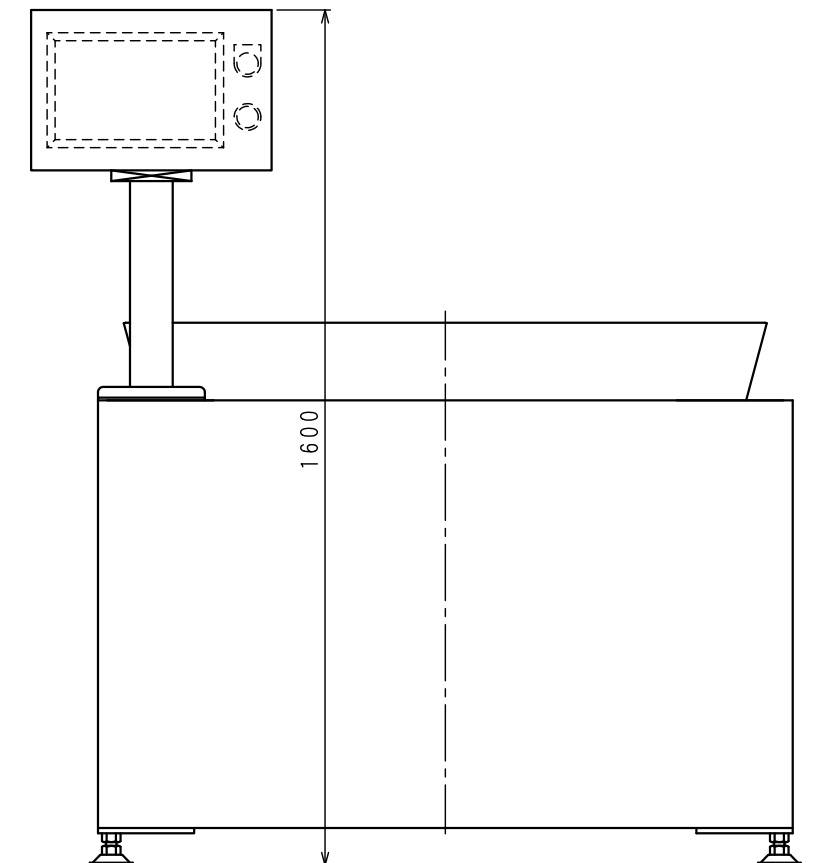
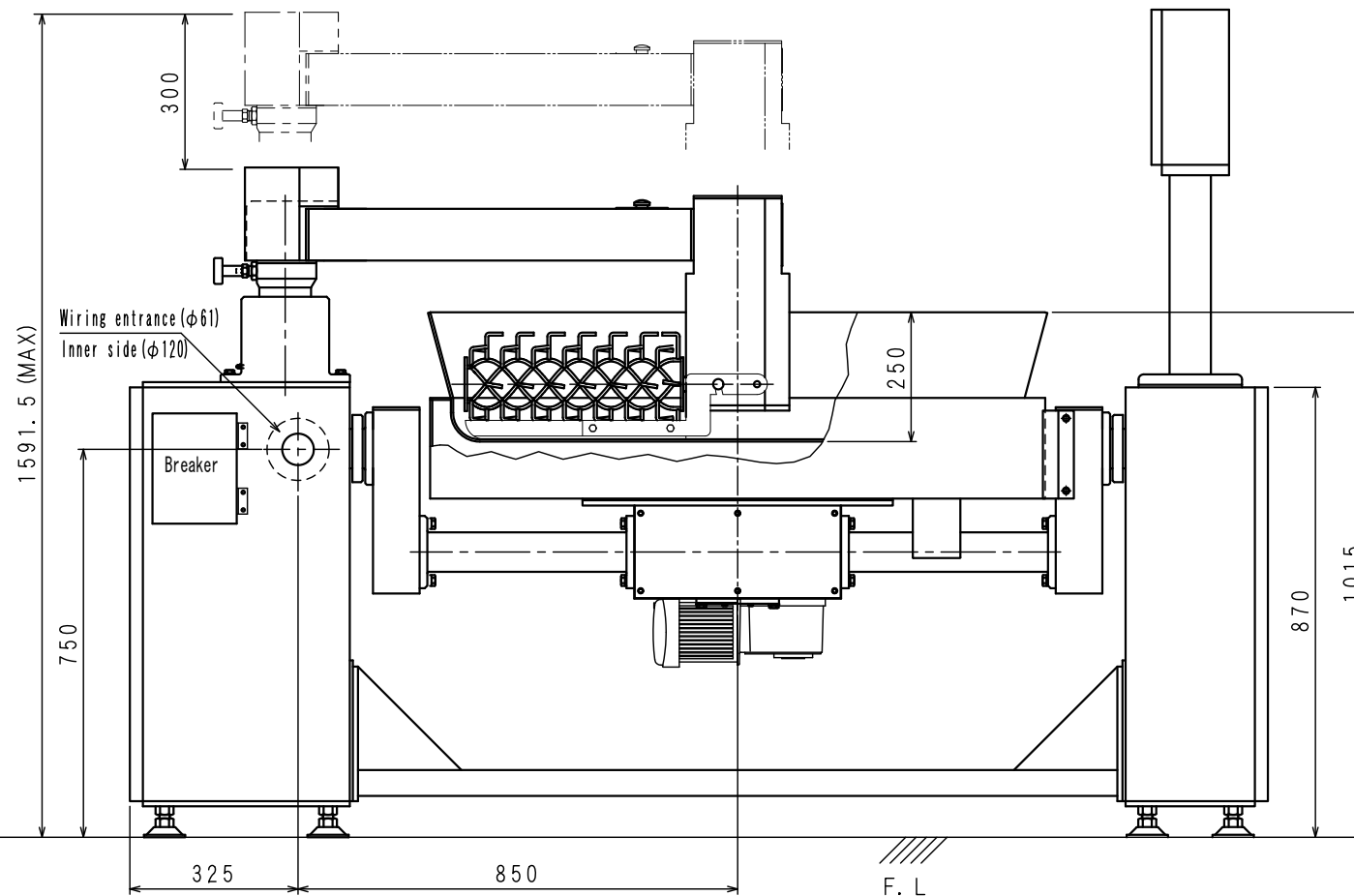
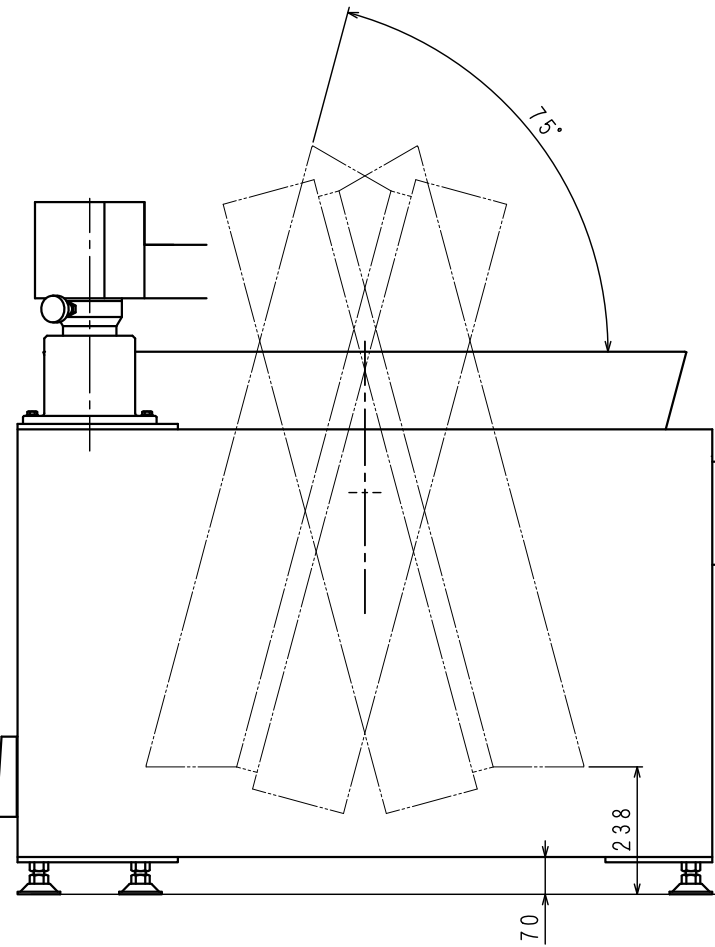


*Wiring starts at other side also.



When the operator see the machine from the front, center of the pot is the right side.

Basic Specifications	
Model	IH-030AS
Power consumption	Basic Specifications
Rated Power Current	Max 125Arms 200C 50Hz (Sine Wave RMS 178Apeak) Load Force Angle:Max30deg
Pot Dimensions./Capacity	φ1100×250 200Liter
Temperature Control	By PID, (0~300°C)
Pot Turn-Over Angle	Both feed & discharge side at 75°
Pot Material/Surface	SUS430 (t=5) #400 Buff finish
Pot/Agitatar Speed Control	By Inverter
Operation Method	Indicating & operation by Touch Panel
Machine Structure	Simple Rust-Proof type (Except for heating coil etc)
Weighing	Load-Cell Scale/200k g (scale by 100 grams)
Machine Weight	890Kg



TYPE	CODE	TITLE
	TYPE:AS	大型IH調理機 全体図
表面処理方法	SCALE	DRAWING
	1:10	T·KUMAZAKI
	DATE	CHECK
	160219	
		伊藤工機株式会社 I TOH KOUKI CORPORATION